

 hachette
PARTWORKS LTD

U 96

U-BOAT

Pack 7
Kits 25-28

25 20 15 10 5 5 10 15 20



BUILD THE ICONIC WORLD WAR II U-BOAT

U 96

U-BOAT

Pack 7

Assembly Instructions

Kit 25: Battery cells

Kit 26: The next bulkhead

Kit 27: Details for the second compartment

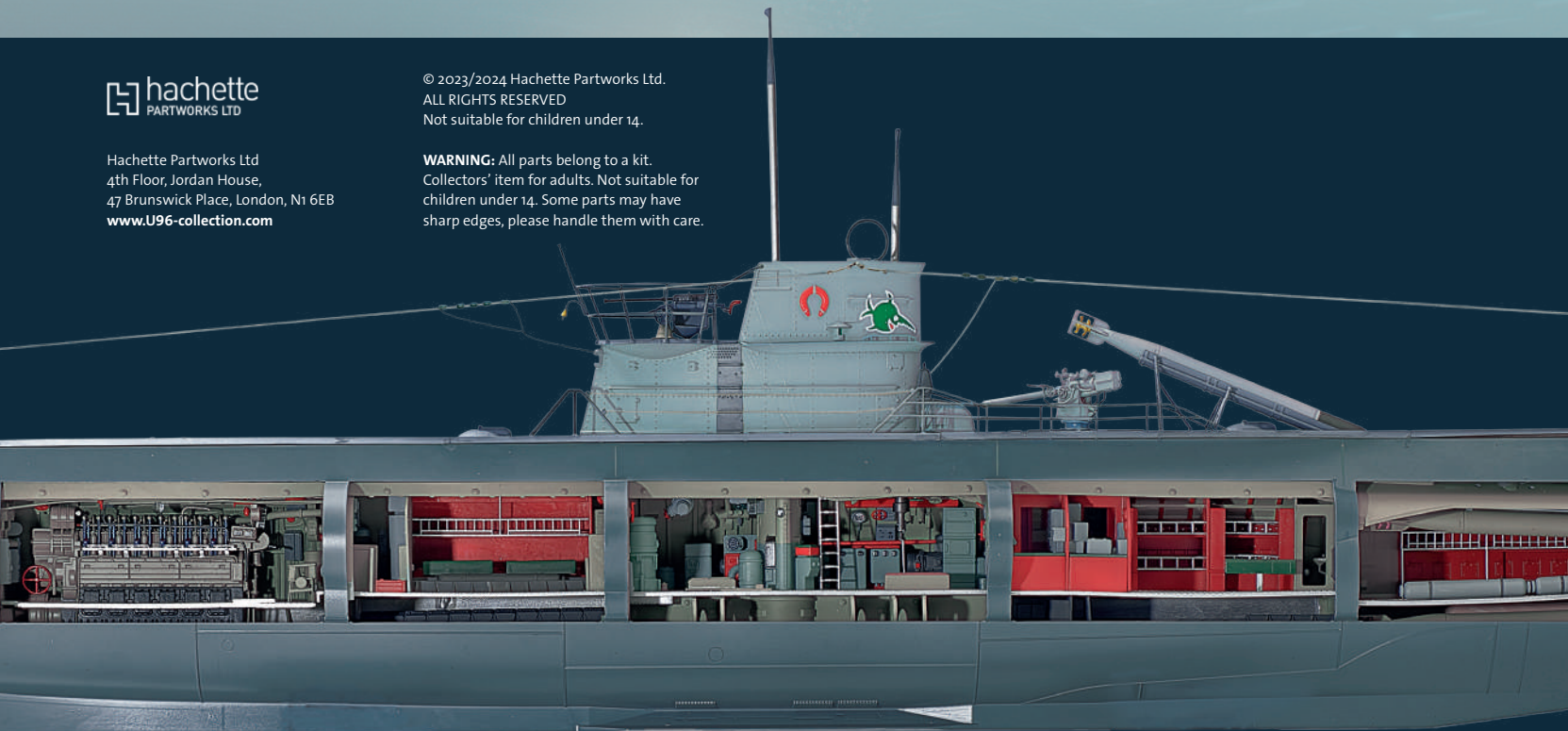
Kit 28: Four more LED cables



Hachette Partworks Ltd
4th Floor, Jordan House,
47 Brunswick Place, London, N1 6EB
www.U96-collection.com

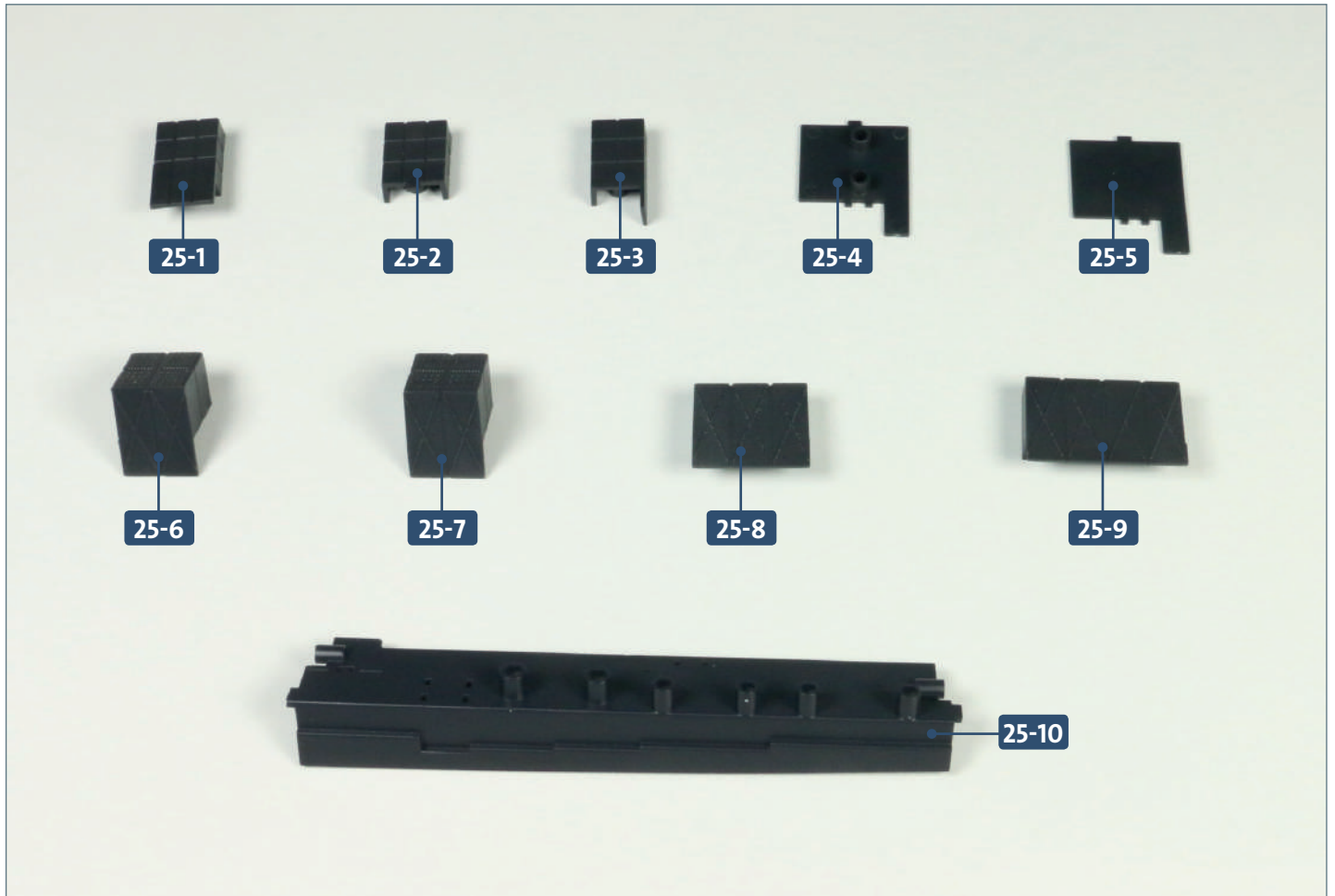
© 2023/2024 Hachette Partworks Ltd.
ALL RIGHTS RESERVED
Not suitable for children under 14.

WARNING: All parts belong to a kit.
Collectors' item for adults. Not suitable for
children under 14. Some parts may have
sharp edges, please handle them with care.



Kit 25: Battery cells

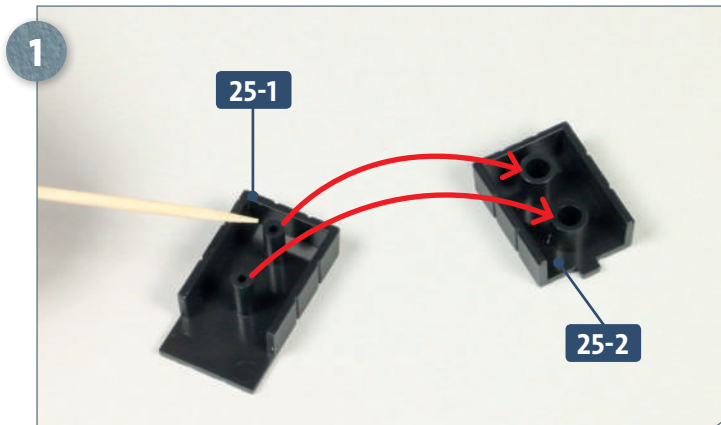
Ammunition boxes, a partition and the battery cells are attached to a rail, which will later be installed underneath the second compartment.



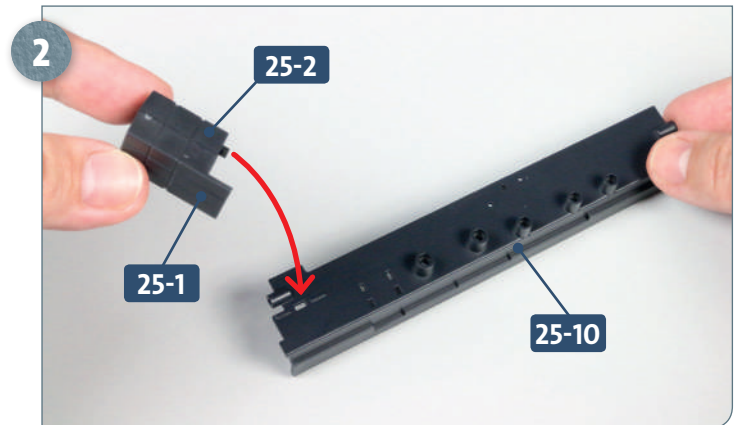
Parts reference list	
Part no.	Name
25-1	Ammunition boxes
25-2	Ammunition boxes
25-3	Ammunition boxes
25-4	Ammunition boxes
25-5	Partition
25-6	Battery cells (A)
25-7	Battery cells (B)
25-8	Battery cells
25-9	Battery cells
25-10	Installation rail

Kit 25: Battery cells

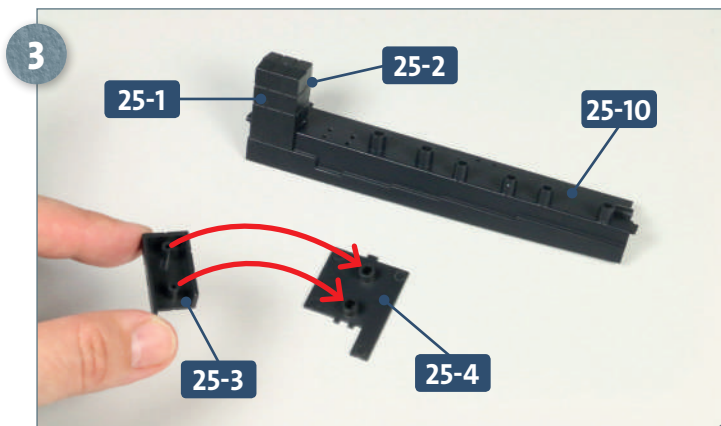
STAGE 1 → Attaching the ammunition boxes and battery cells



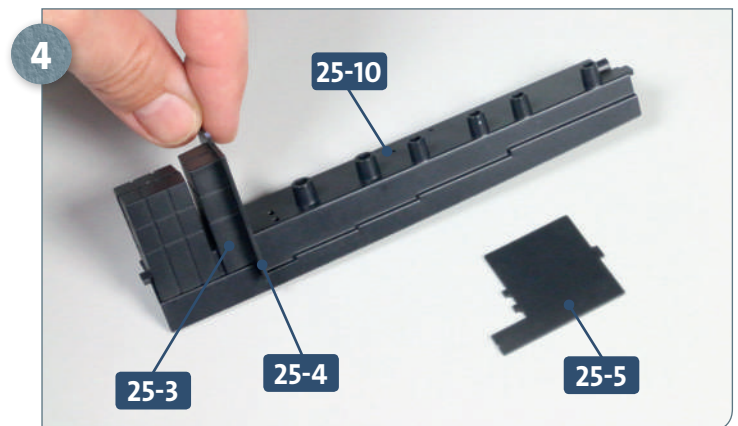
Place the two ammunition box parts **25-1** and **25-2** on your work surface. Apply some glue to the pegs and other contact points of **25-1**, as indicated.



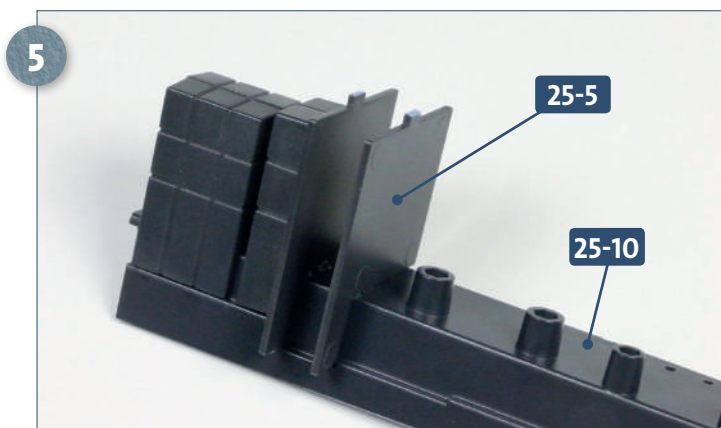
Glue the two ammunition box parts **25-1** and **25-2** together. Apply some glue to the underside of the resulting assembly and insert the peg into the slot of the installation rail **25-10**, as shown by the arrow.



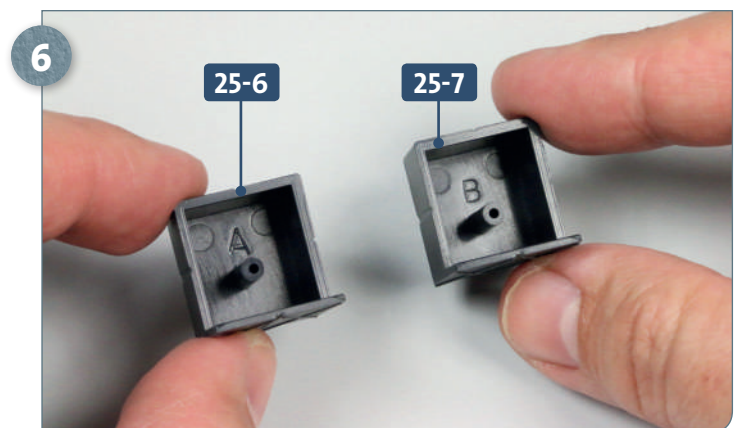
After attaching the ammunition boxes **25-1/25-2** to the rail **25-10** take the next ammunition box parts, **25-3** and **25-4**, apply some glue to their contact points, and join them as shown above.



Glue the **25-3/25-4** ammunition box assembly into the next two slots of the installation rail **25-10**. Have ready the partition **25-5**.

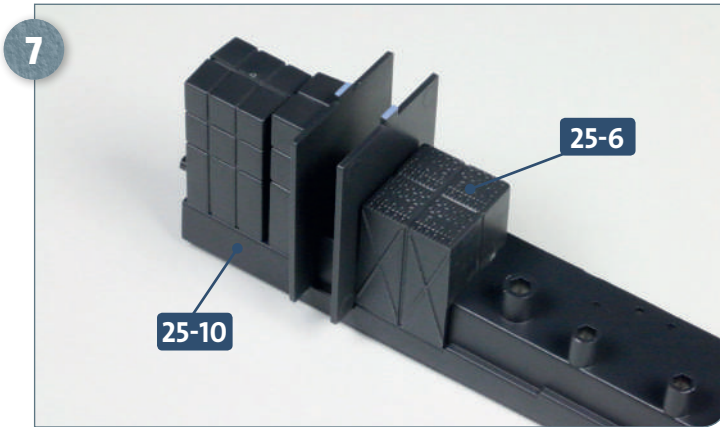


Add some glue to the two pegs of the partition **25-5** and fit them into the adjacent slots of the installation rail **25-10**, as shown.

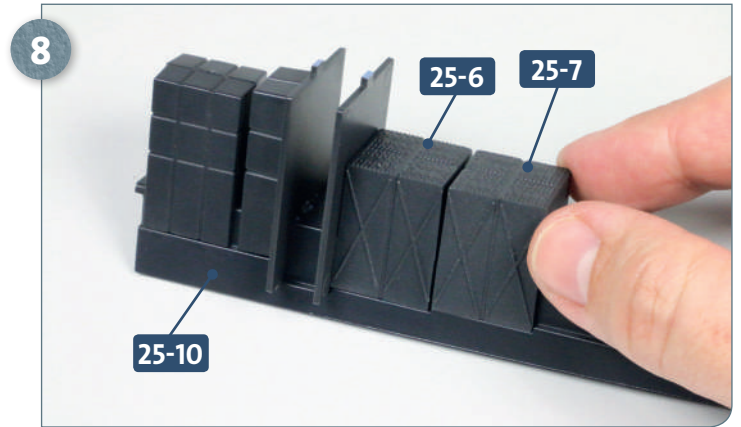


The next parts to be added are battery cells **25-6** and **25-7**, which can be distinguished by the lettering marked on the underside: **25-6** has an 'A', **25-7** a 'B'.

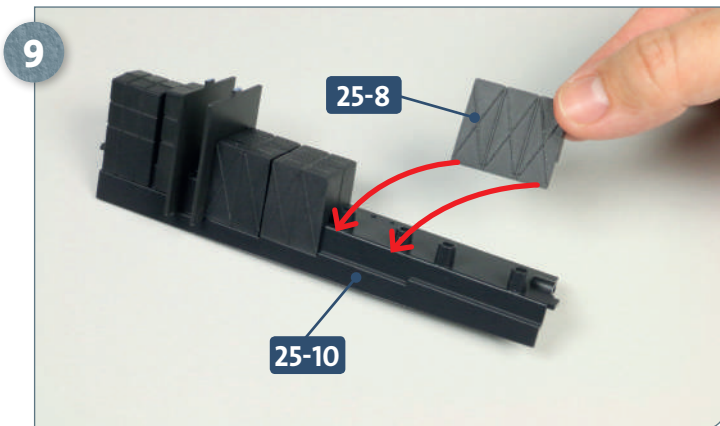
Kit 25: Battery cells



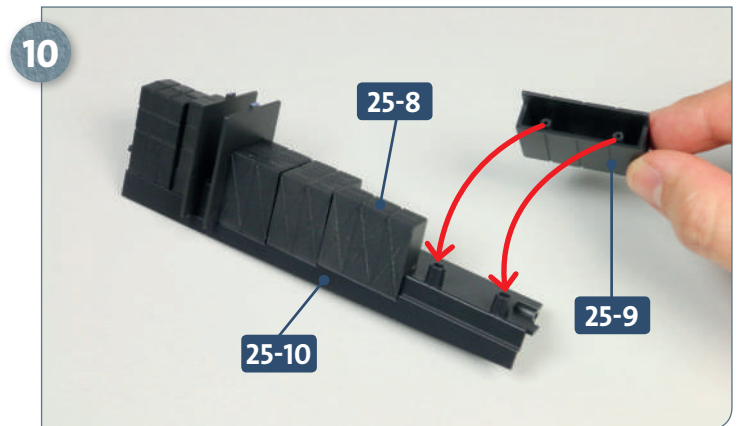
Apply some glue to the underside of battery cell **25-6 (A)** and attach it to the installation rail **25-10**.



Glue battery cell **25-7 (B)** next to **25-6** on the installation rail **25-10**, as shown in the photo.

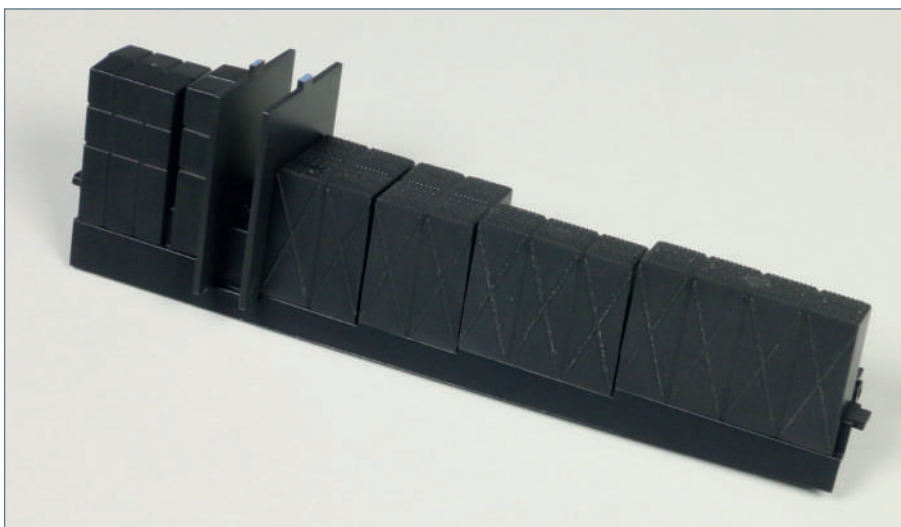


Next take battery cell **25-8**, apply some glue to the underside, and fit it onto the installation rail **25-10**, as indicated by the arrows.



The last battery cells, **25-9**, are glued to the end of the installation rail, as shown above.

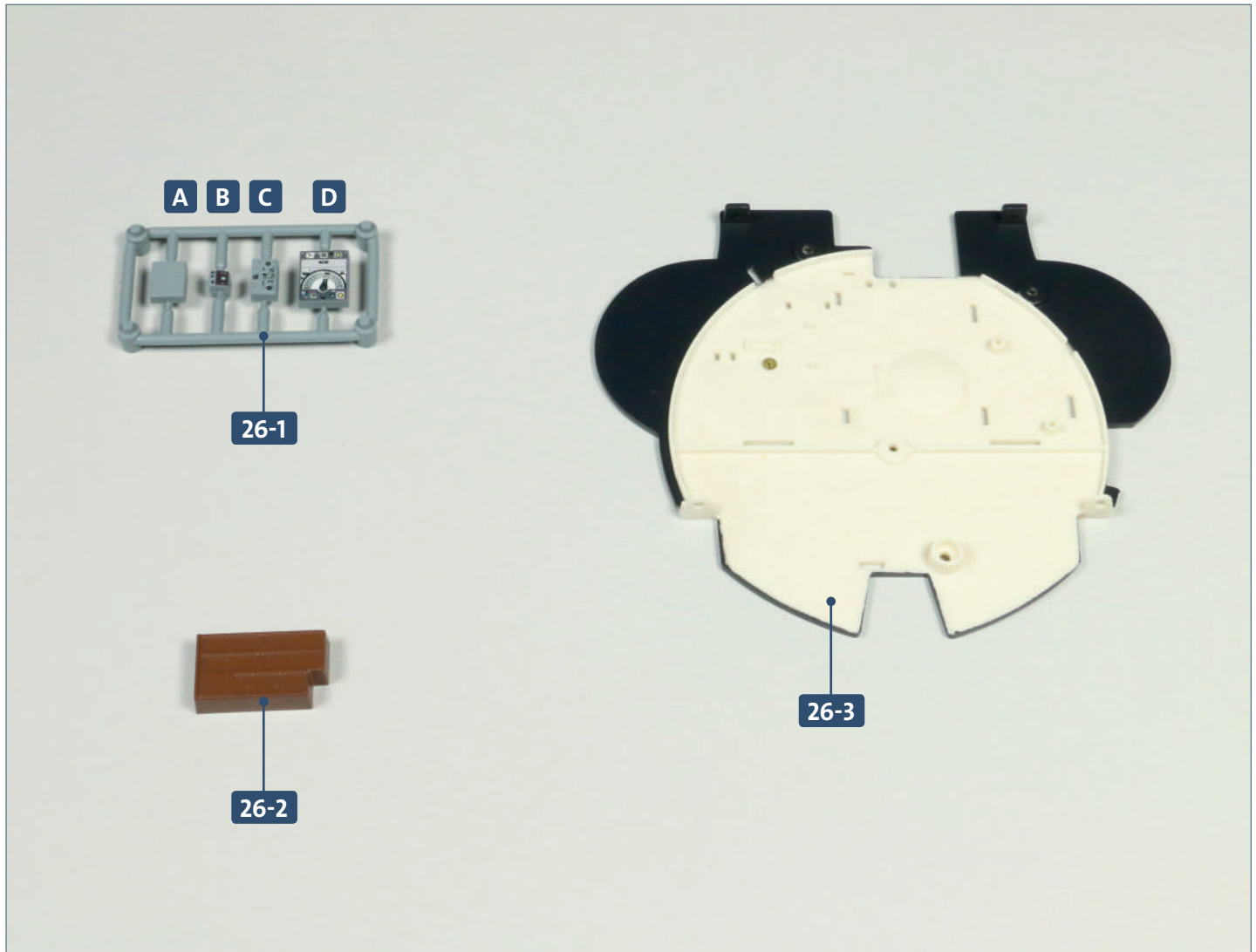
COMPLETED WORK



The ammunition boxes, a partition and the battery cells have been attached to the installation rail.

Kit 26: The next bulkhead

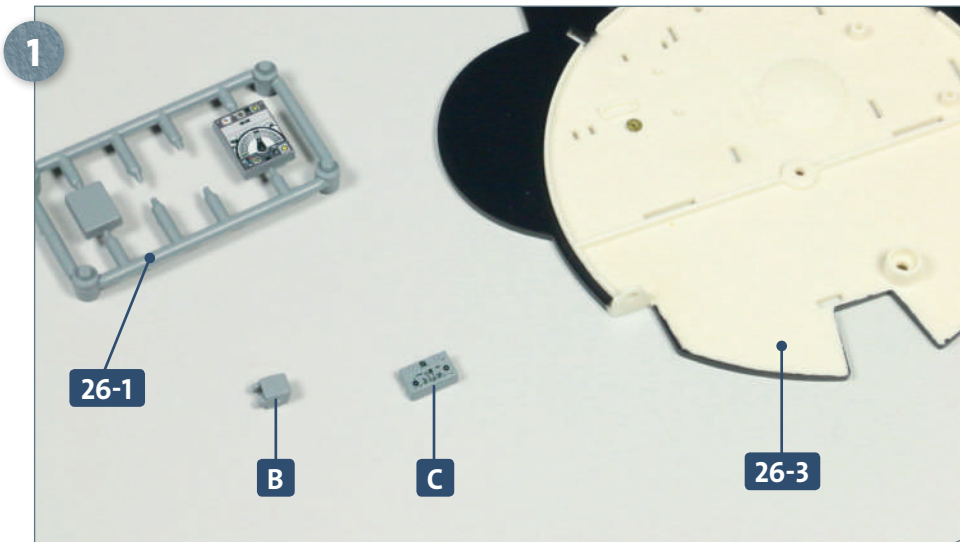
In this kit, you will attach five parts to the aft bulkhead of the second compartment, some lockers and four elements that will become part of the radio room.



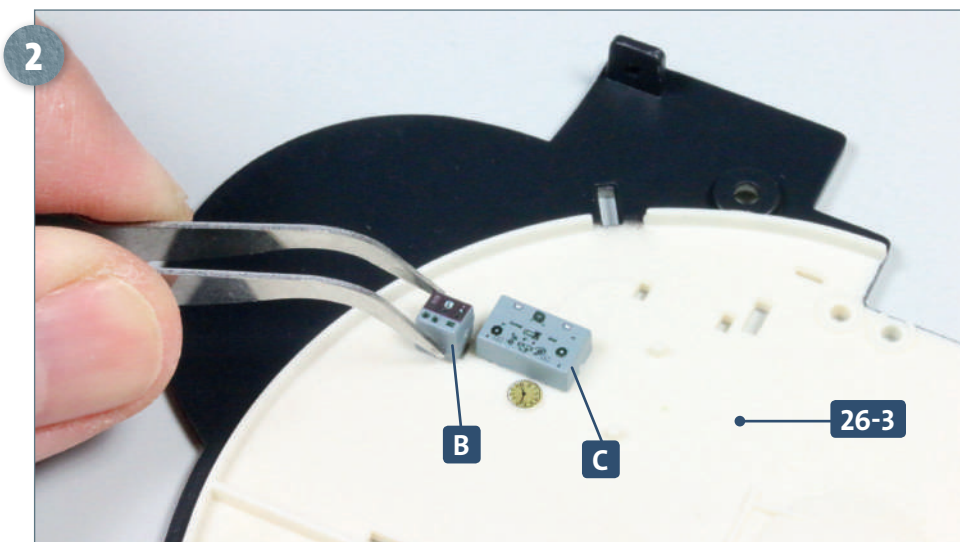
Parts reference list

Part no.	Name
26-1	Frame with radio room parts (A, B, C, D)
26-2	Lockers
26-3	Second compartment aft bulkhead

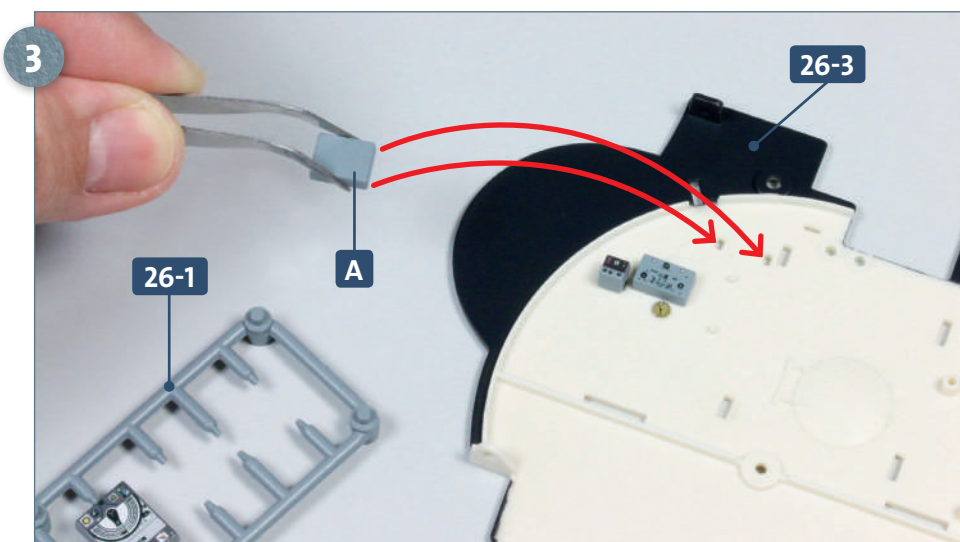
STAGE 1 → Furnishing the bulkhead



Place the bulkhead **26-3** and the frame **26-1** on your work surface. Remove parts **B** and **C** from the frame.

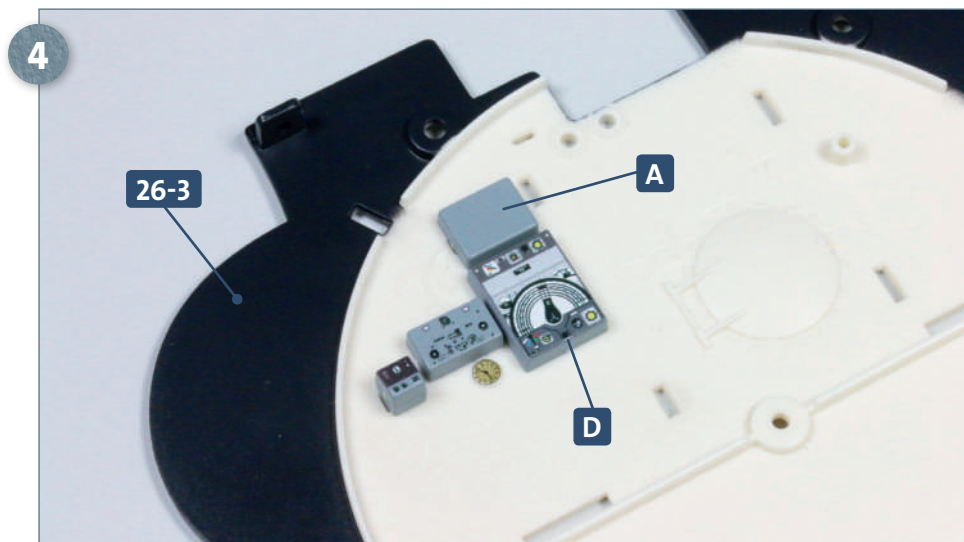


Apply some glue to the back of part **C** and attach it to the rectangular ridge on the bulkhead **26-3**. Apply some glue to the two pegs of part **B** and fit these into the small slots, as shown.

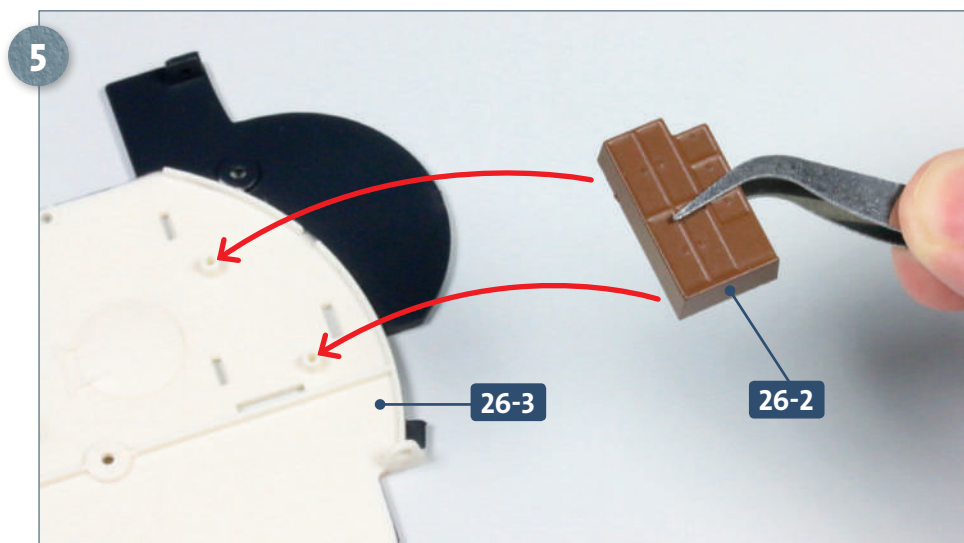


Remove part **A** from frame **26-1**, apply some glue to the two pegs on the back, and insert these into the slots on the bulkhead **26-3**, which are indicated by the two arrows.

Kit 26: The next bulkhead

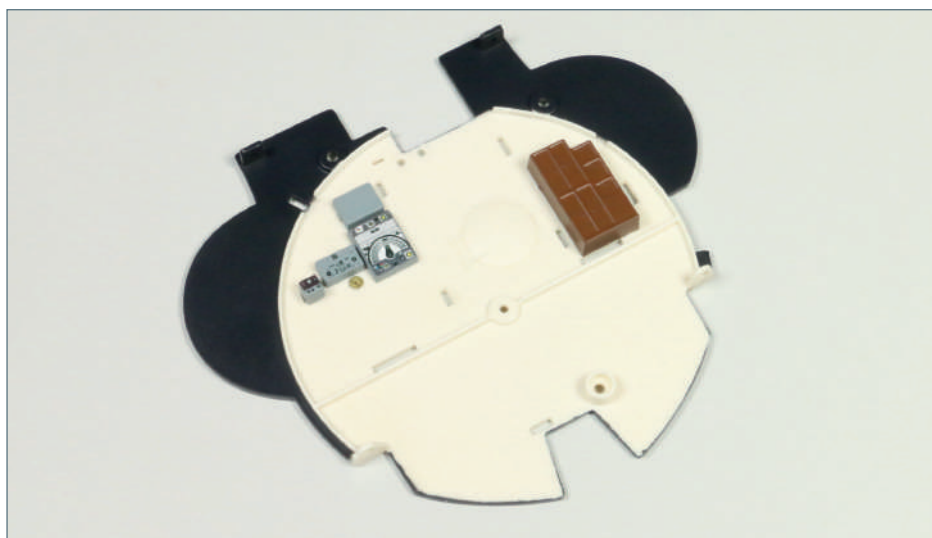


Remove part **D** from frame **26-1**, apply some glue to the two sockets on the back, and attach to the bulkhead as shown in the photo.



Take the lockers part **26-2**. Apply some glue to the two sockets on the back and attach it to the two pegs on the bulkhead **26-3**, as shown by the arrows.

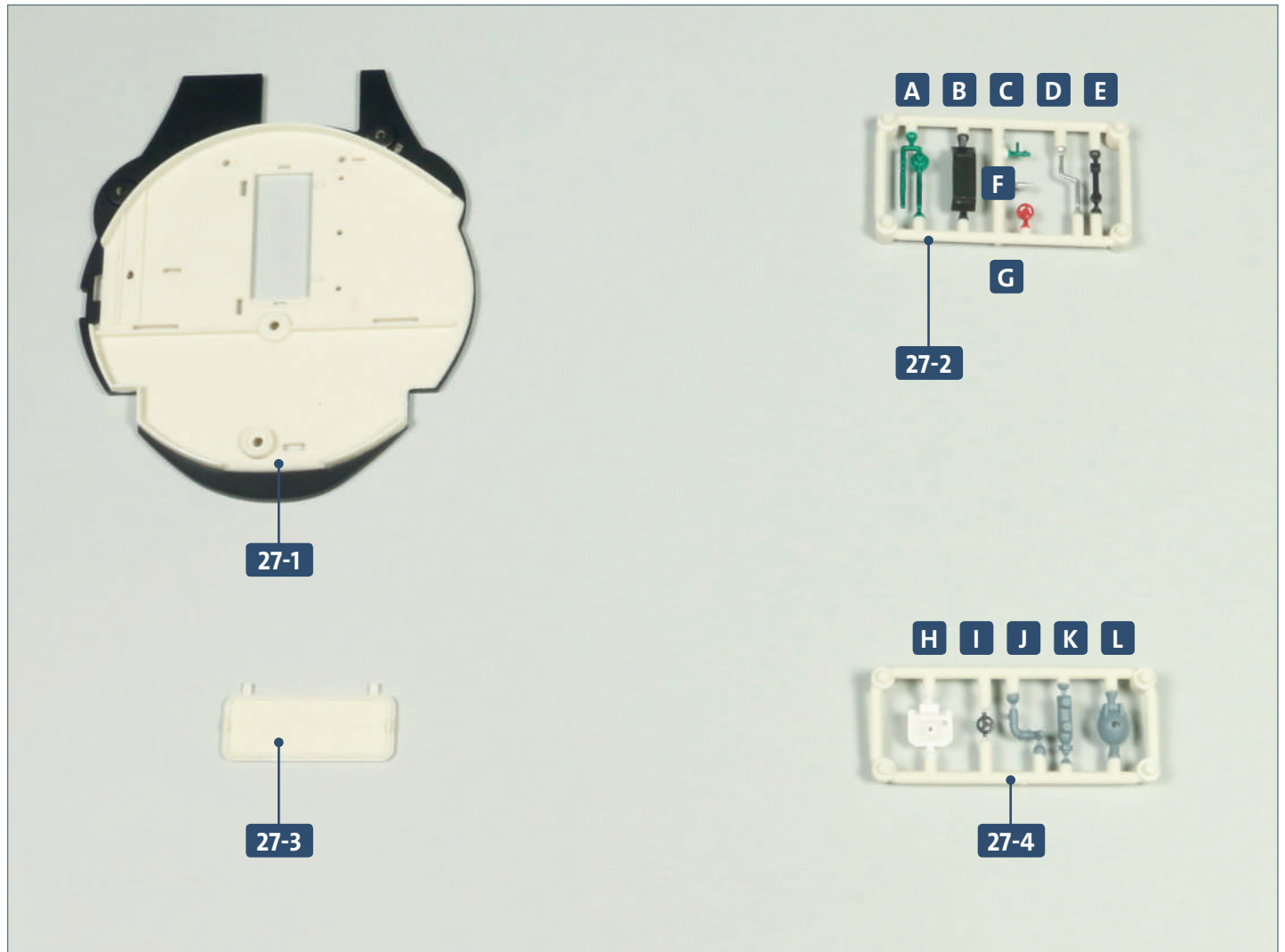
COMPLETED WORK



Five small parts have been attached to the aft bulkhead of the second compartment. The bulkhead will be installed within the main assembly in kit 28.

Kit 27: Details for the second compartment

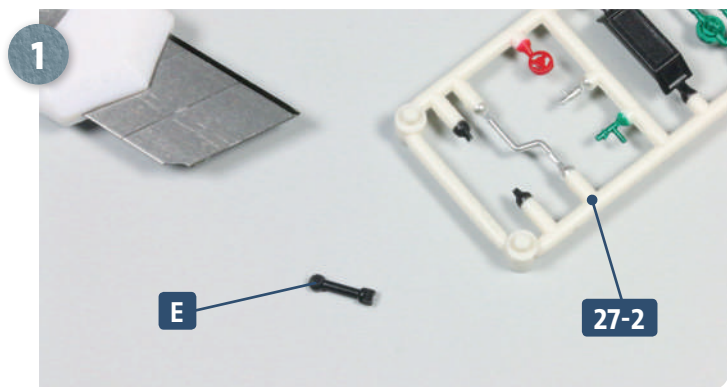
Some parts are attached to add detail to the listening room. Additional small parts are attached to the forward bulkhead of the second compartment and within the toilet. Finally, a soundproof door is glued to the forward bulkhead.



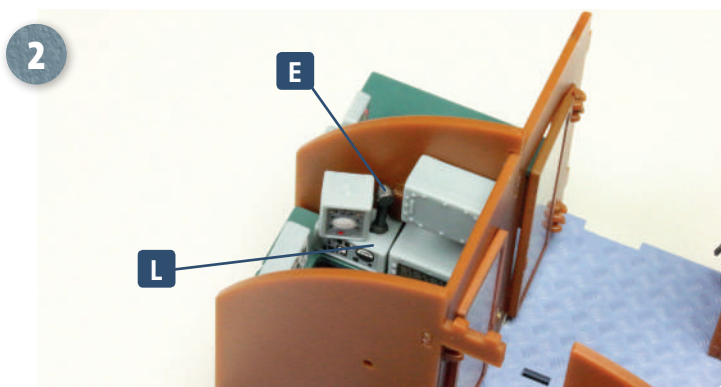
Parts reference list	
Part no.	Name
27-1	Second compartment forward bulkhead
27-2	Frame (A, B, C, D, E, F, G)
27-3	Soundproof door
27-4	Frame (H, I, J, K, L)

Kit 27: Details for the second compartment

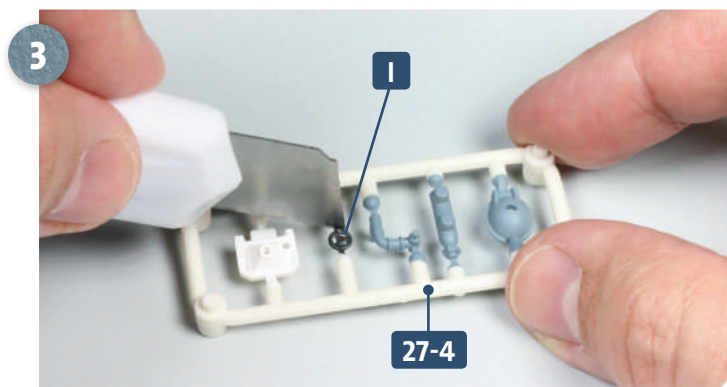
STAGE 1 → Two details for the listening room



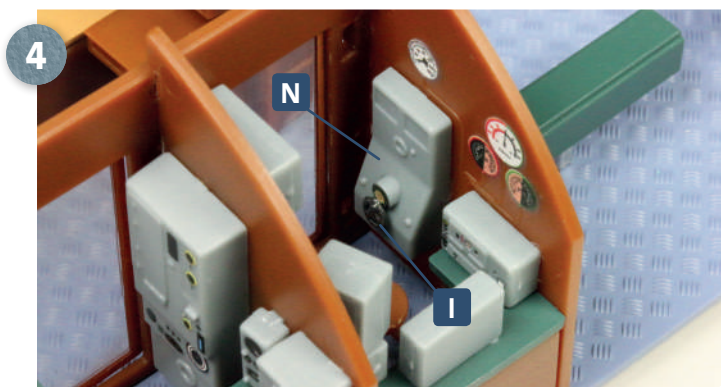
Place frame 27-2 on your work surface. Detach the microphone, E, from the frame, as shown above.



Place the second compartment, which was last worked on in kit 23, on your work surface so that you have access to the listening room. Apply a little glue to the tab on the underside of the microphone E and fit it into the slot in part L.

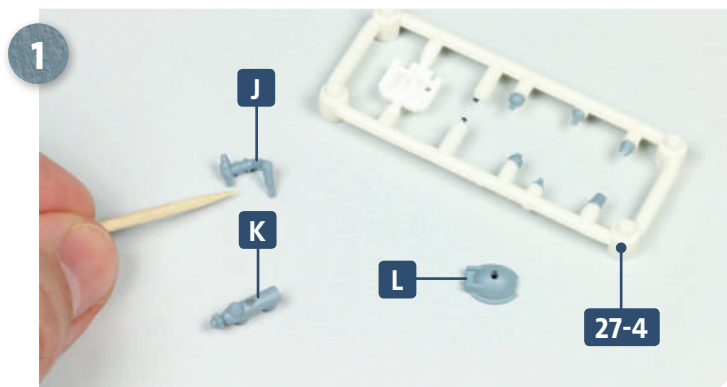


Detach the hand wheel I from frame 27-4.

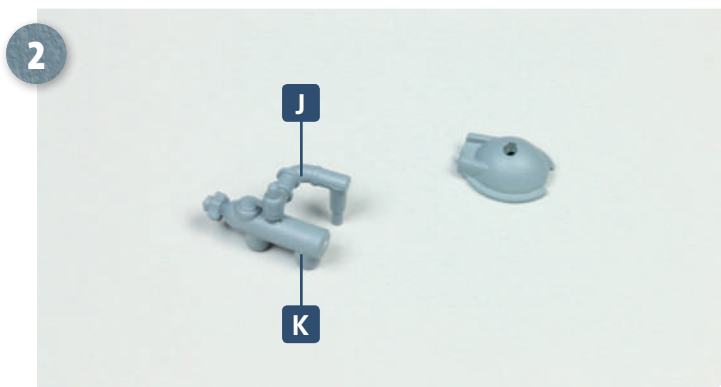


Working on the other bulkhead of the listening room, glue the peg on the hand wheel I into the small hole just below the black protrusion on part N.

STAGE 2 → The forward bulkhead and toilet

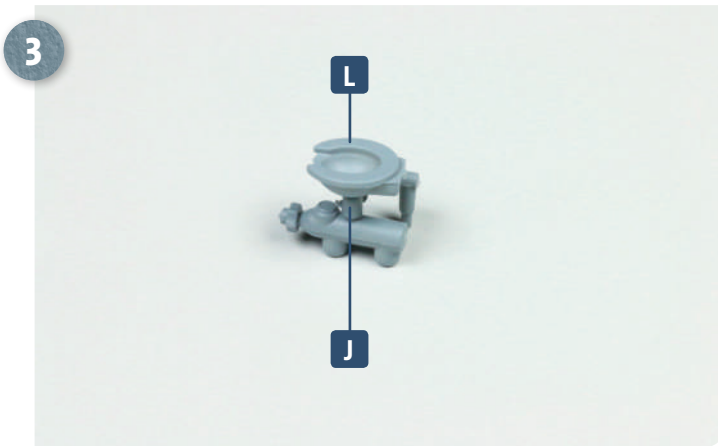


Firstly, assemble the toilet. Detach parts J, K and L from frame 27-4. Apply some glue to the peg of part J, as shown.

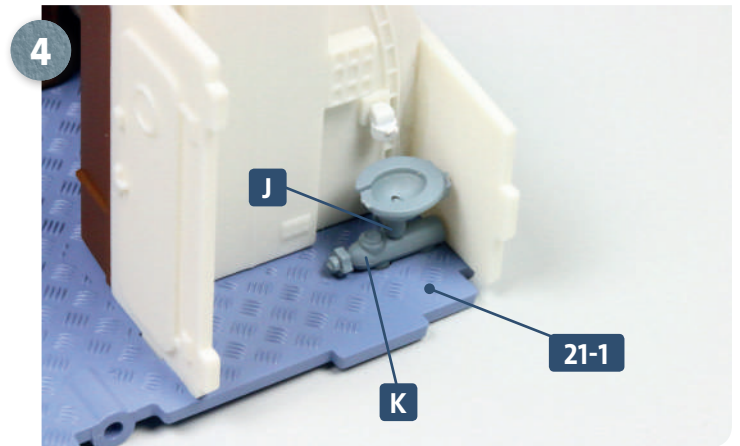


Glue part J to part K.

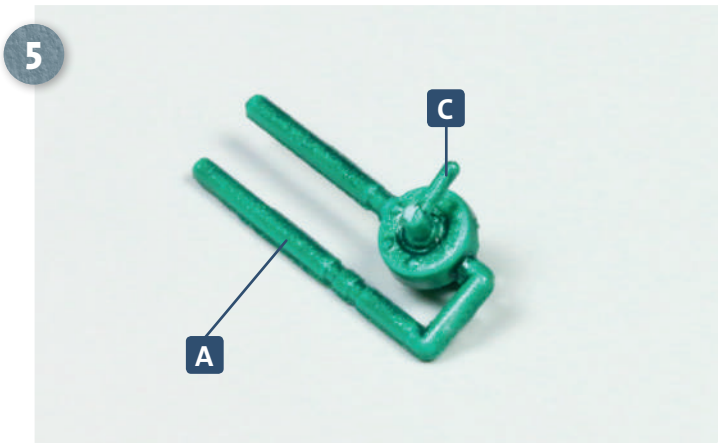
Kit 27: Details for the second compartment



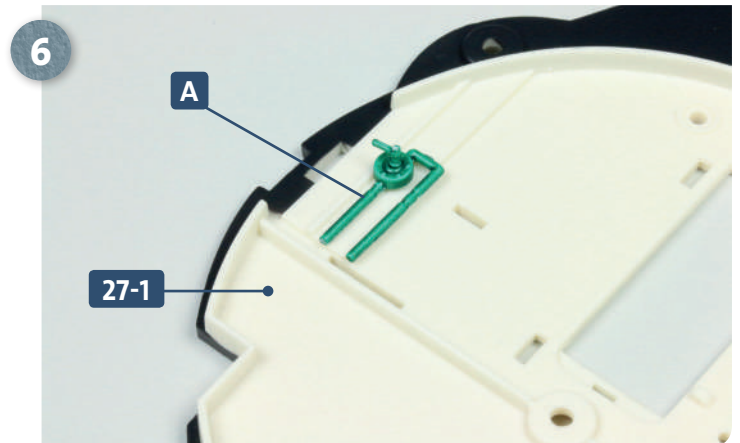
Apply some glue to the upper peg of part J and fit part L onto it.



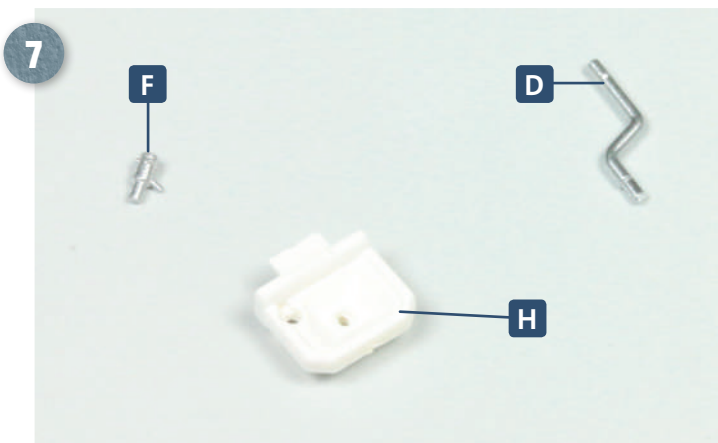
Apply some glue to the peg on the underside of part J and the two pegs on the underside of part K and fit these into the holes in the deck 21-1.



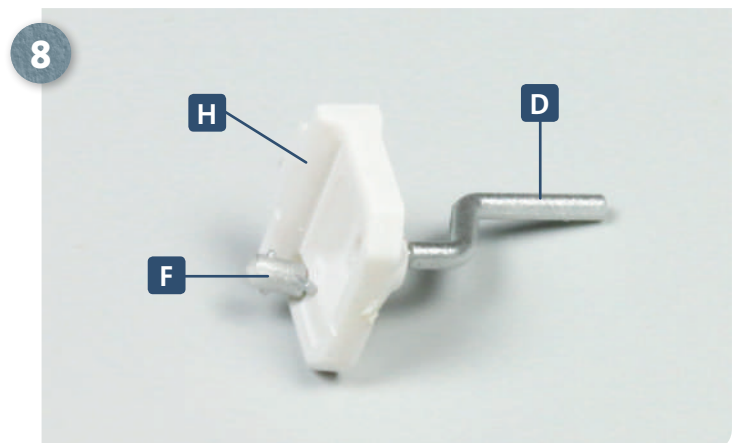
Detach parts A and C from frame 27-2. Glue C into the small hole of part A.



Place the forward bulkhead 27-1 on your work surface. Apply some glue to the peg on the back of part A and attach it to the bulkhead, as shown above.

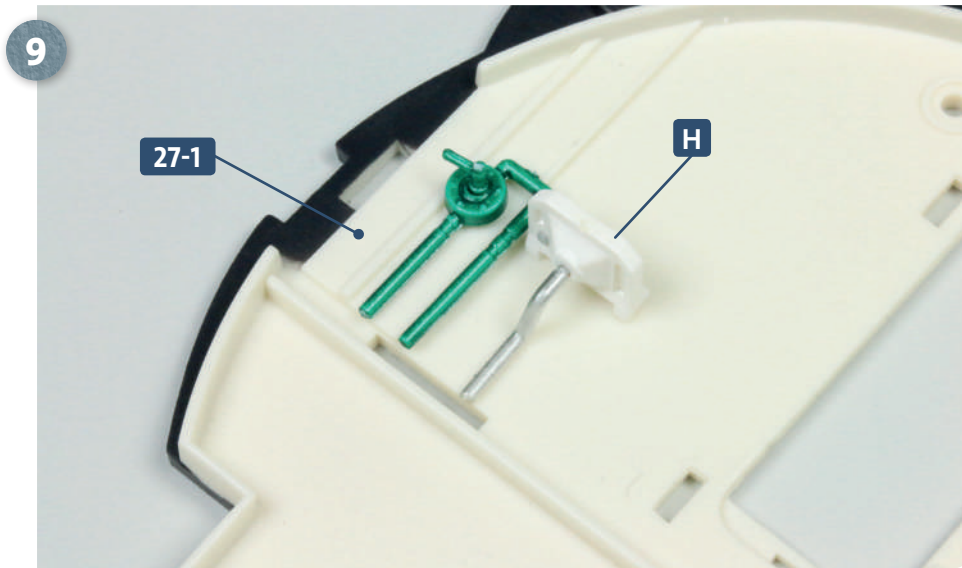


Now assemble the wash basin. First detach parts D and F from frame 27-2 and the sink H from frame 27-4.

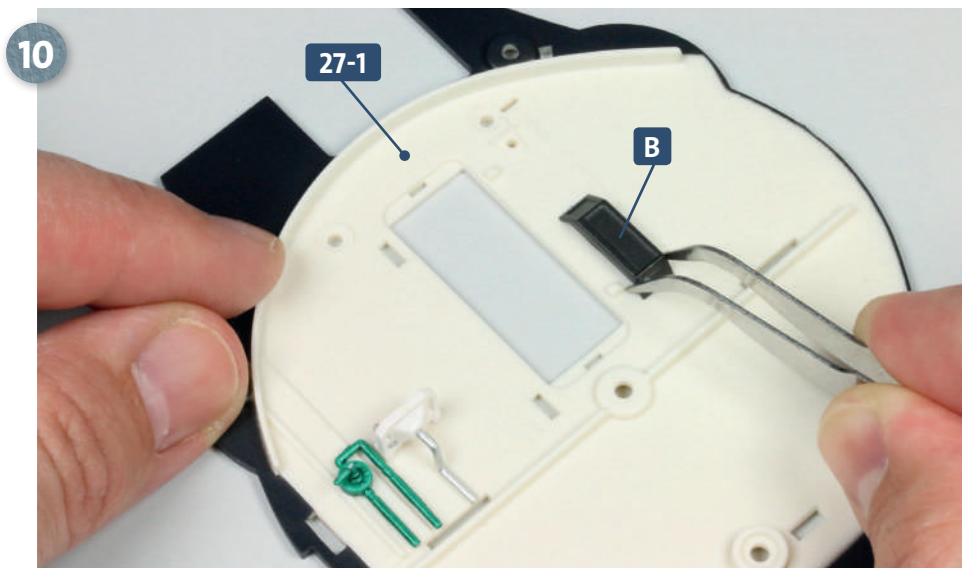


Glue parts D and F to the basin H, as shown in the photo.

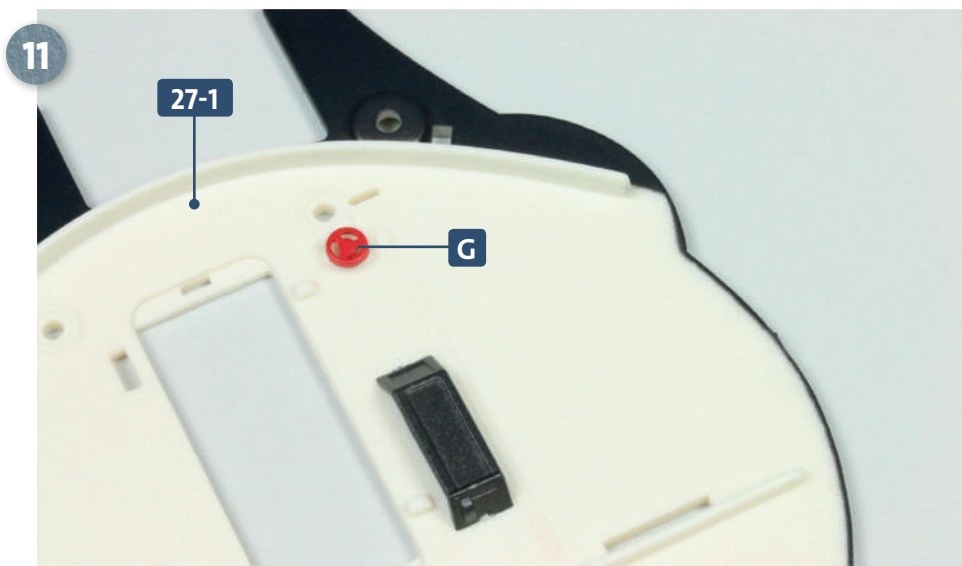
Kit 27: Details for the second compartment



Apply some glue to the wide tab on the back of the sink H and fit it into the slot on the forward bulkhead 27-1.

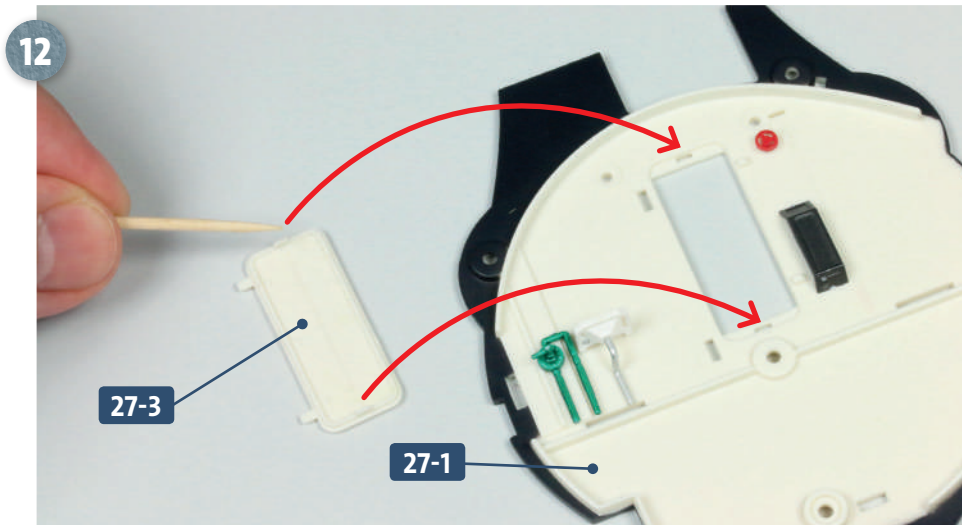


Remove the radiator B from frame 27-2. Apply some glue to the two pegs on the back of the radiator and insert these into the holes in the bulkhead 27-1.

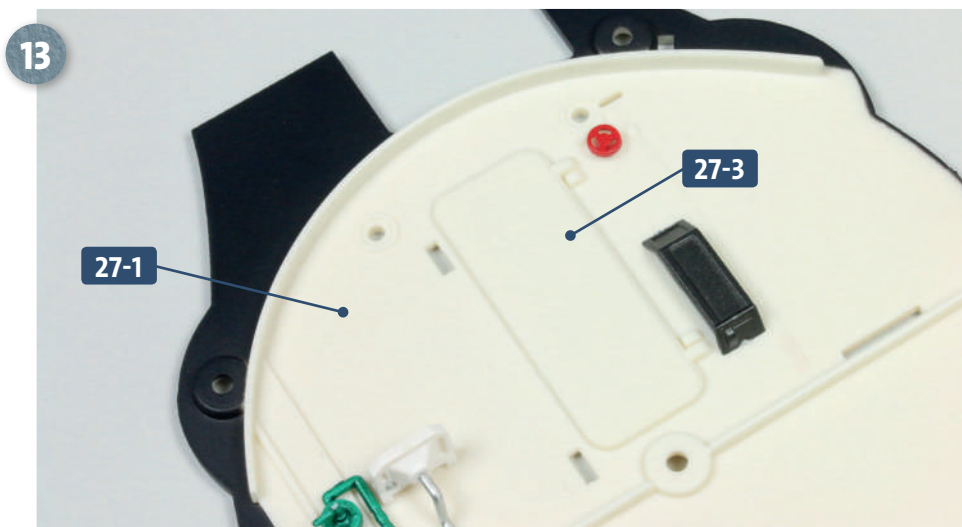


Remove the hand wheel G from frame 27-2. Glue this in position at the top of the bulkhead 27-1, as shown in the photo: the peg on the back of the wheel fits into the hole.

Kit 27: Details for the second compartment

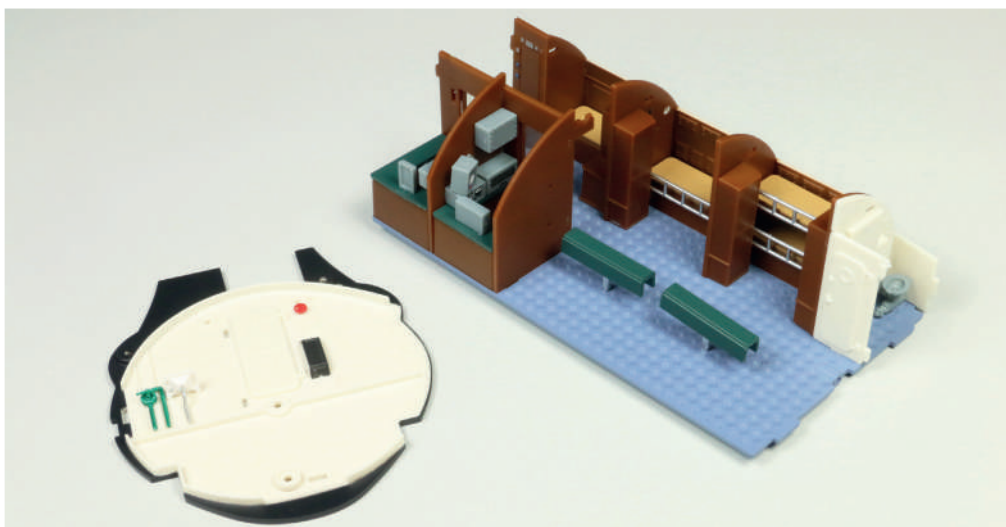


Orientate the soundproof door 27-3 as shown. Apply some glue to the two small pegs at the top and bottom of the door. It is then glued into the large opening in the bulkhead 27-1 (see arrows).



The door 27-3 is glued in place in the large opening in the bulkhead 27-1.

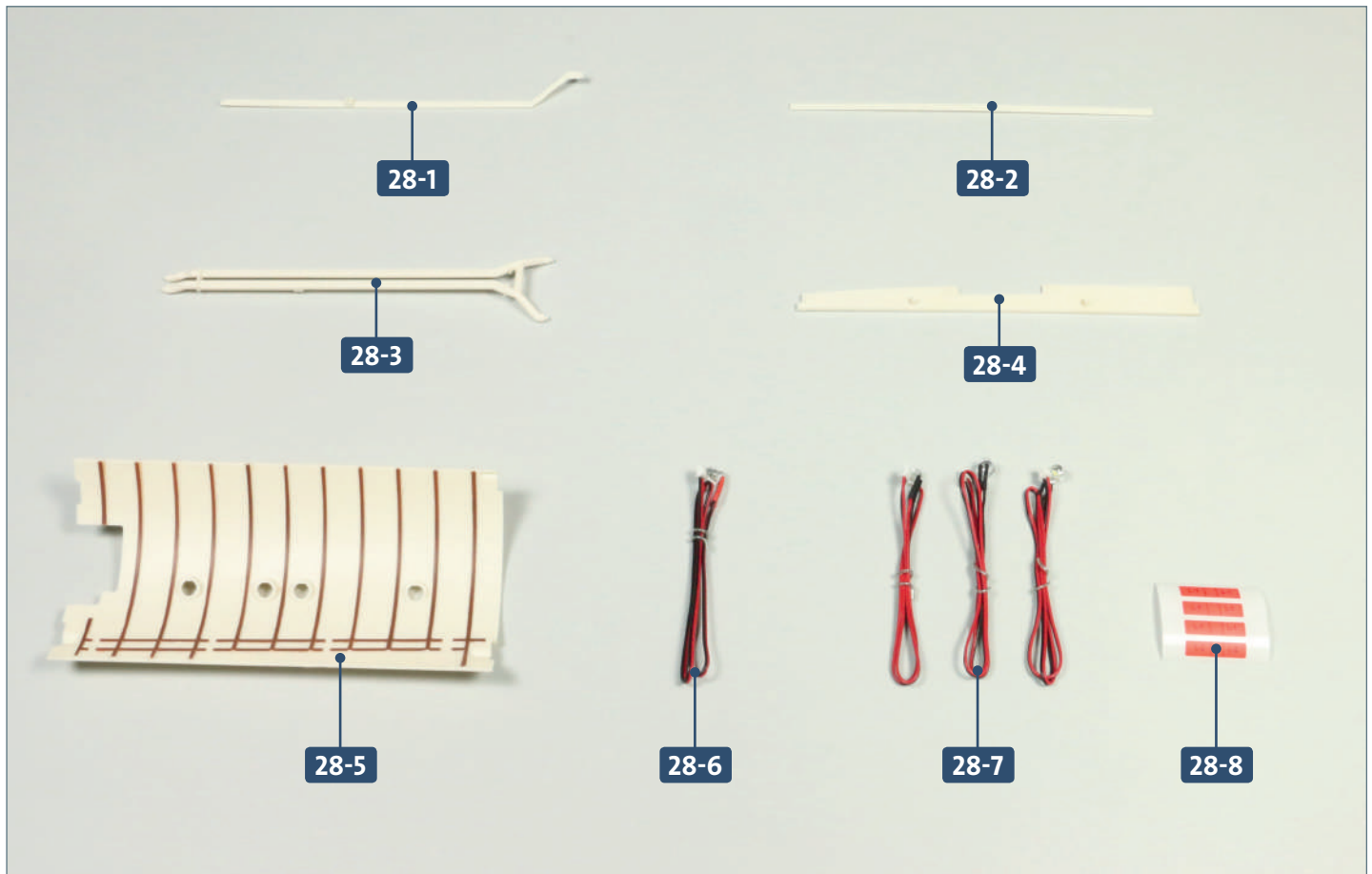
COMPLETED WORK



Some further details have been added to the second compartment and to its forward bulkhead.

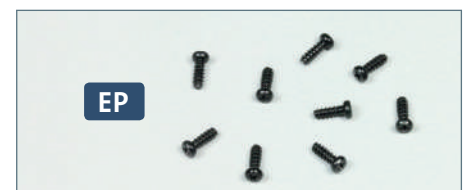
Kit 28: Four more LED cables

In this kit, the second compartment is assembled, and the deck, bulkheads and deckhead are joined together. Three pipelines are also laid. Lastly, four cables are given markers and their LEDs are fitted into openings in the deckhead.



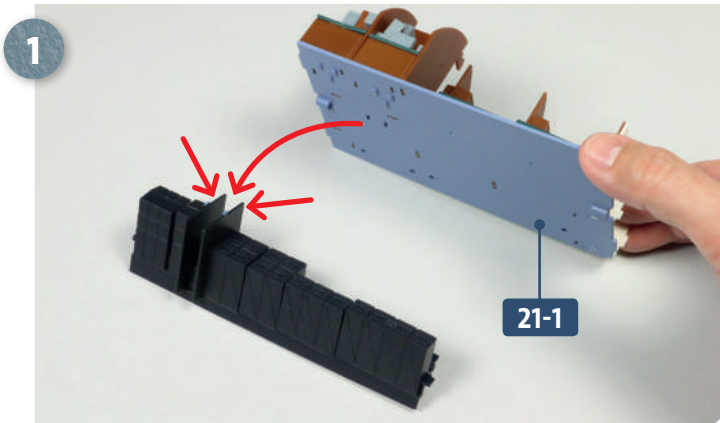
Parts reference list	
Part no.	Name
28-1	Pipe
28-2	Pipe
28-3	Pipes
28-4	Panel
28-5	Deckhead
28-6	Red LED cable
28-7	Three white LED cables
28-8	Four cable labels

Note: When attaching the two bulkheads to the base assembly, make sure that the pegs are fully seated in their slots (steps 1-4 and 1-8). Apply glue to the contact surfaces.

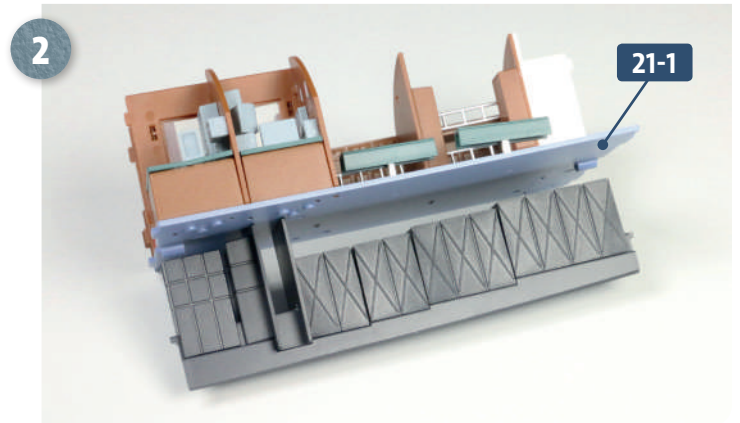


Screws		
Ref	No.	Dimensions
EP	8+1	2.3 x 6 mm

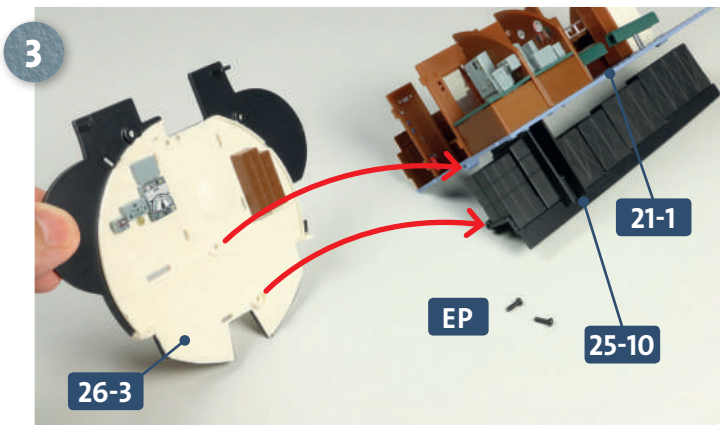
STAGE 1 → Second compartment assembly



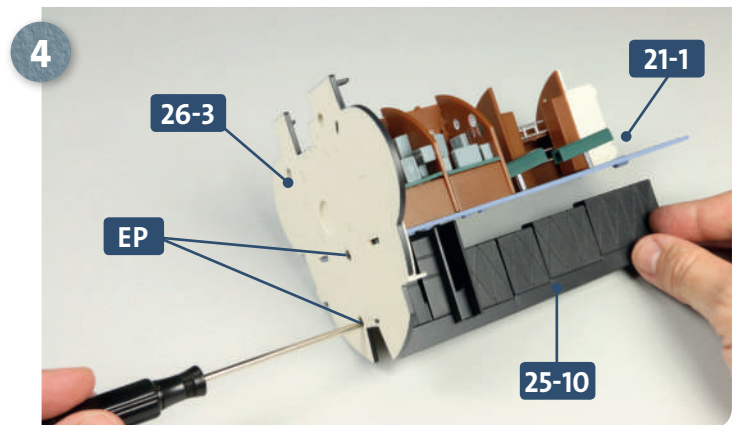
The underside of the compartment **21-1** is first fitted onto the ammunition box/battery cell assembly you built in kit 25. Add glue along the top edges as indicated by the two straight arrows.



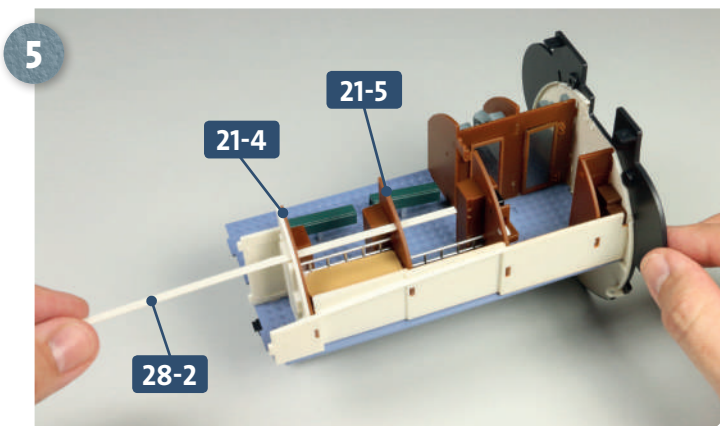
The photo above shows the ammunition box/battery cell assembly glued correctly to the underside of **21-1**.



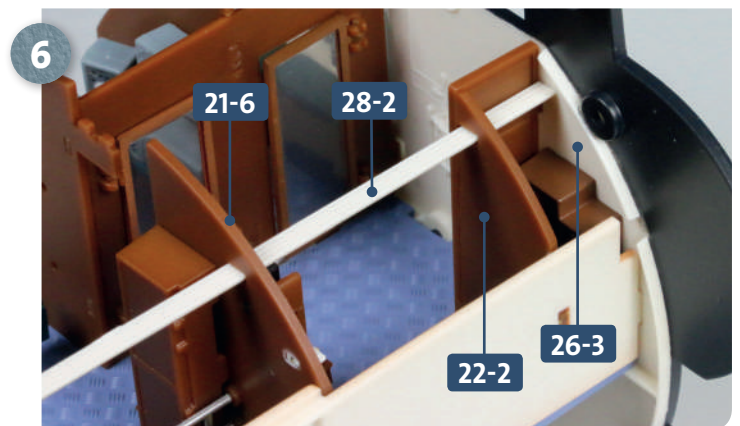
Have two **EP** screws ready. Take the aft bulkhead **26-3** and align its two holes so they fit over the sockets at the base of **21-1** and on the installation rail **25-10**, respectively, in the positions shown by the two arrows. Take time to ensure all the tabs are correctly seated into their slots.



Once happy with the positioning, first add some glue to the contact points of both assemblies. Fix the bulkhead **26-3** to the deck **21-1** and the installation rail **25-10** in the position previously practised, using two **EP** screws, as shown.

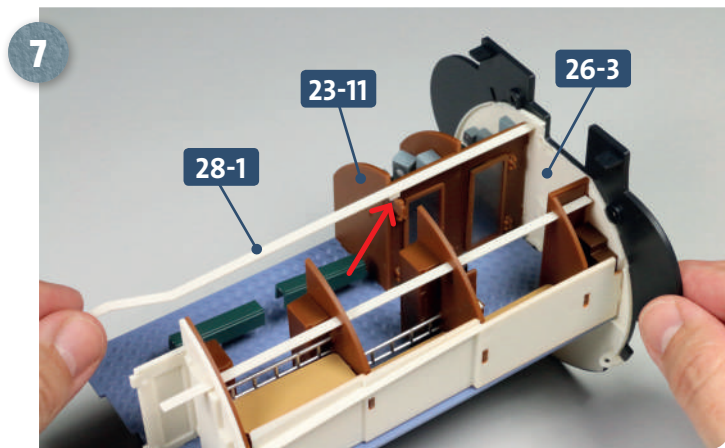


Orientate pipe **28-2** so that its smaller side faces downwards, and route it through the cut outs in the room dividers **21-4** and **21-5**, as shown.

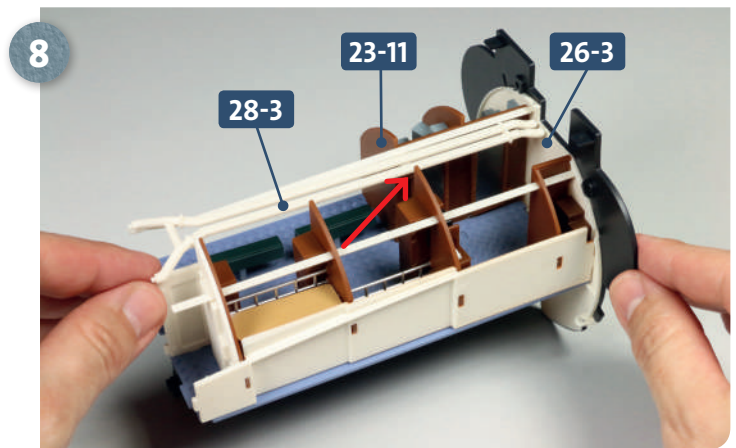


Continue to feed the pipe **28-2** through the notches in room dividers **21-6** and **22-2**, until it abuts the aft bulkhead **26-3**.

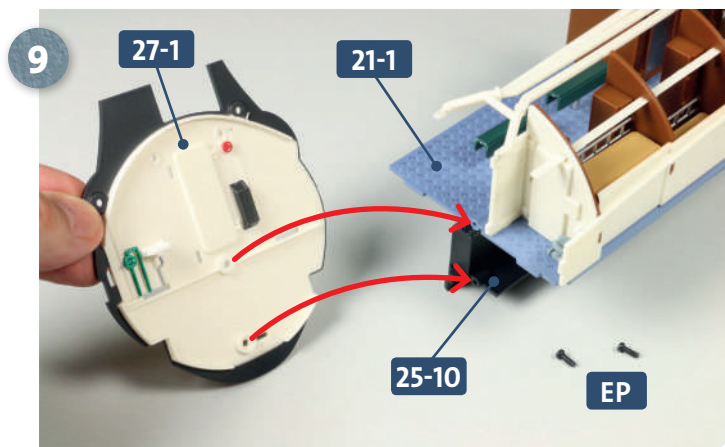
Kit 28: Four more LED cables



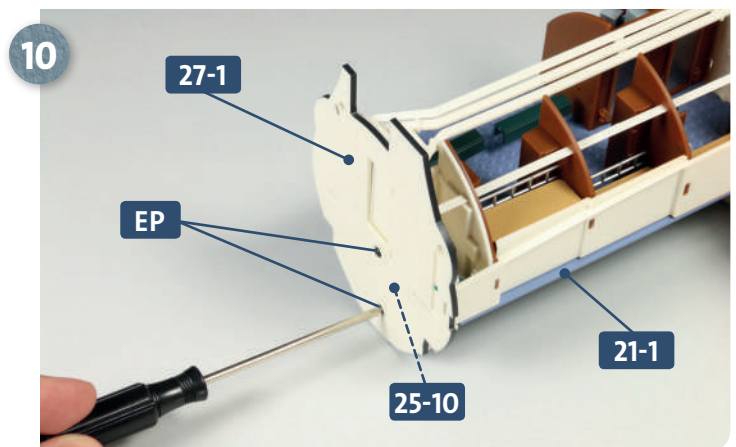
Take pipe **28-1** and glue the end into the recess in the bulkhead **26-3**. The mount on the underside of the pipe is also glued to the peg on the listening room partition **23-11** (see arrow).



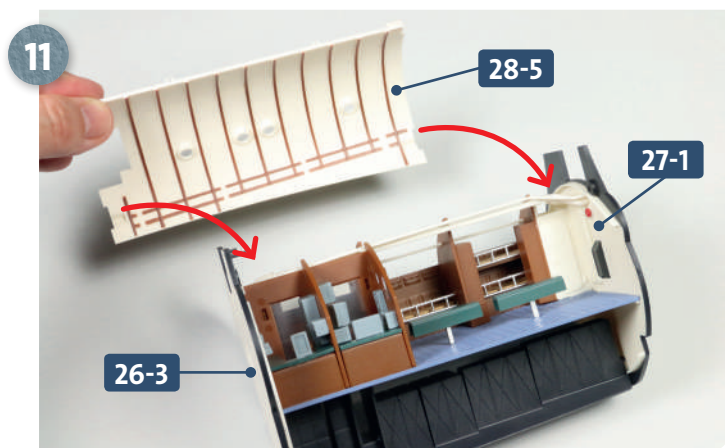
Take the pipes **28-3** and glue the narrow end into the two holes in the bulkhead **26-3**. Again, the underside mount is glued to the remaining peg on the partition bulkhead **23-11** (see arrow).



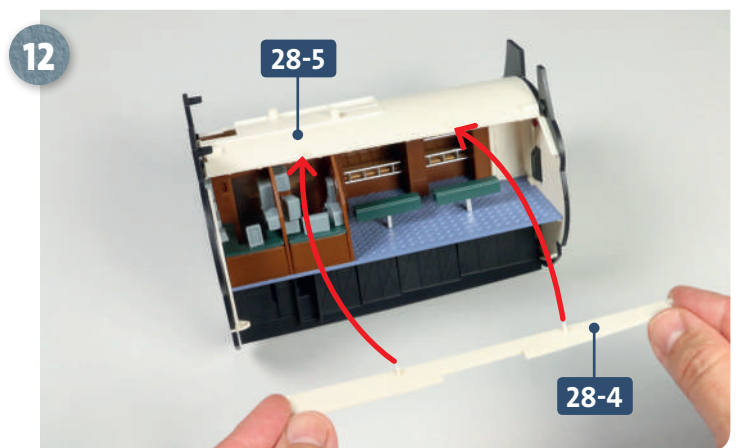
Have ready two **EP** screws. Take the forward bulkhead **27-1** and align its two holes to the sockets on the deck **21-1** and in the installation rail **25-10**, as indicated by the two arrows. Take time to ensure that these and all of the other tabs and pipes are correctly seated in their slots.



Once happy with the positioning, apply some glue to the contact points before attaching the bulkhead **27-1** to the deck **21-1** and the installation rail **25-10** using two **EP** screws, as shown.

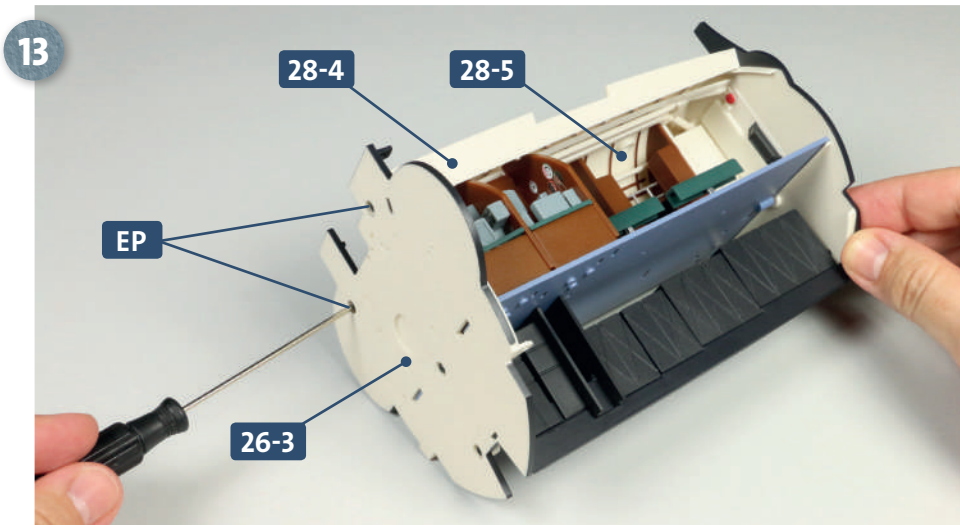


Take the deckhead panel **28-5** and fit it between the two bulkheads **26-3** and **27-1**, so that the fixing holes are aligned.

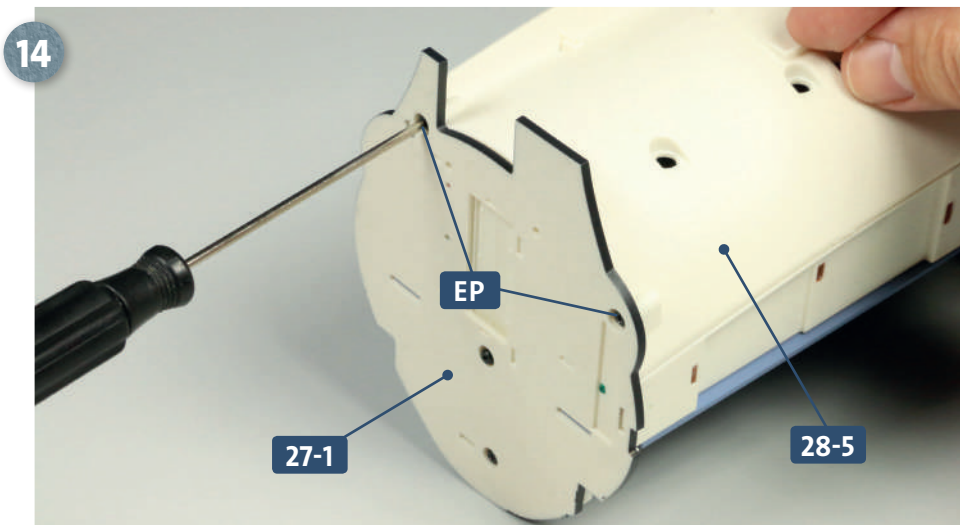


With the deckhead **28-5** in position, next take panel **28-4** and apply glue to the two pegs, before fixing it to the deckhead, as shown by the arrows. The ends of the panel fit into slots in bulkheads **26-3** and **27-1**.

Kit 28: Four more LED cables

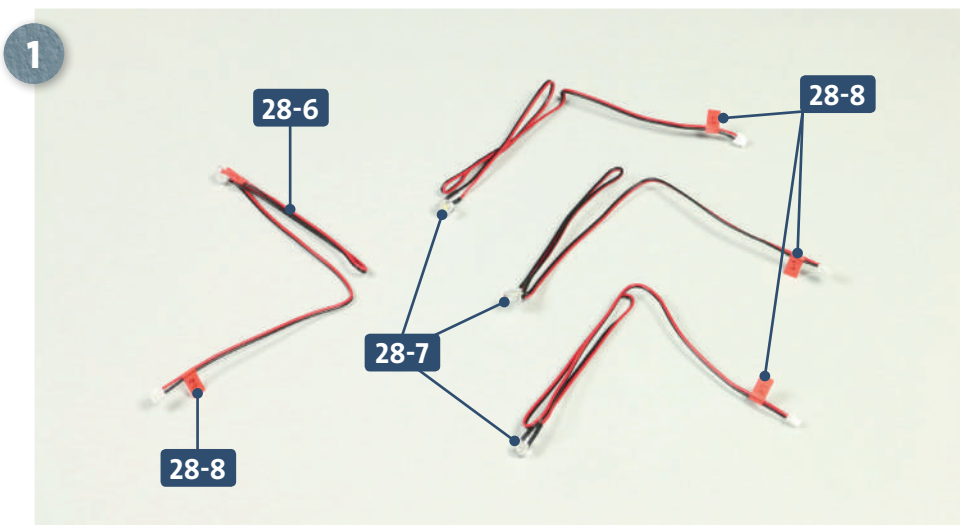


Next, secure the deckhead 28-5 to the aft bulkhead 26-3 using two EP screws, as shown in the photo.



Then secure the deckhead to the forward bulkhead 27-1 using two further EP screws, as shown.

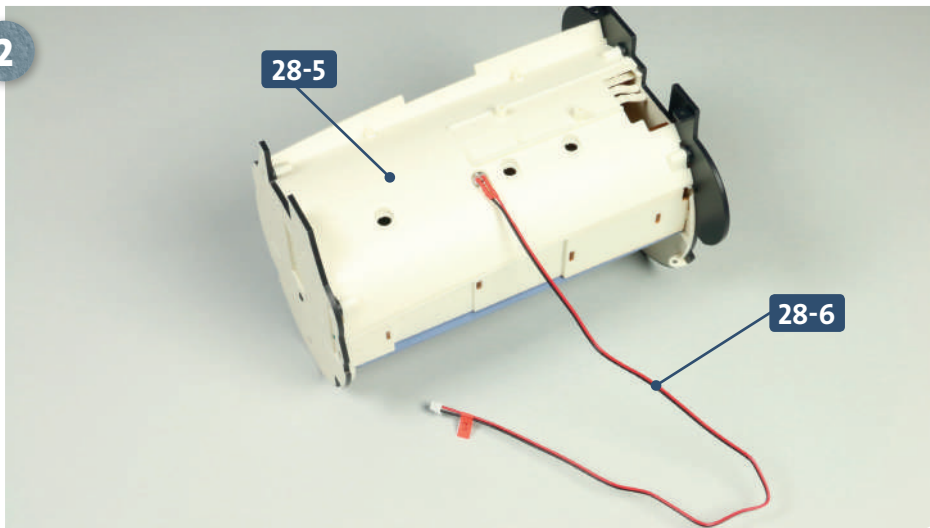
STAGE 2 → Labelling and installing the LED cables



Label the three white LED cables 28-7 (these each have a black sleeve) with one of the cable labels 28-8, printed with a 'L-1'. The red LED cable 28-6 (with the red sleeve) should be marked with the 'L-2' cable label. Attach the cable labels approximately 8mm from the terminal end of the LED cables. You may wish to test the LEDs in a similar way to that described in steps 1 and 2 of kit 24.

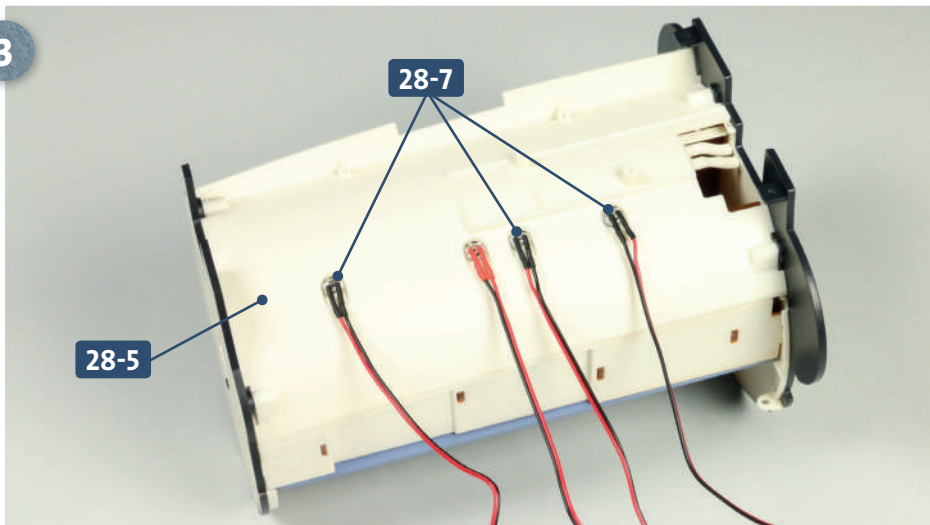
Kit 28: Four more LED cables

2



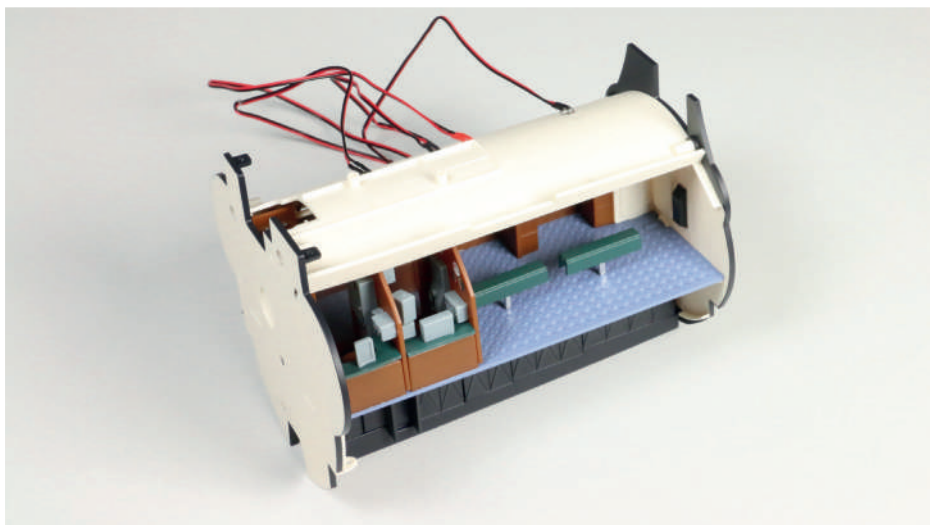
Insert the red LED 28-6, with the 'L-2' cable label, in the hole in the deckhead 28-5 as shown here.

3



The three white LEDs 28-7 (L-1) are installed in the remaining three holes in the deckhead 28-5, as shown.

COMPLETED WORK



The assembly of the second compartment of the U-Boat is now complete. Four LEDs have also been inserted into the holes in the deckhead.